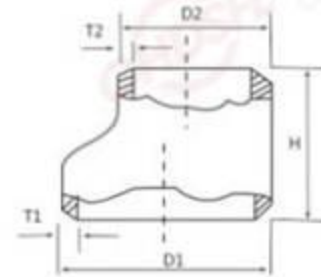
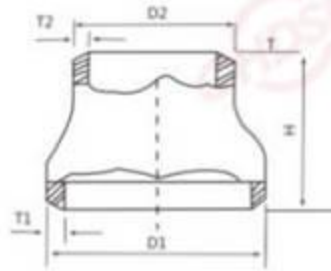


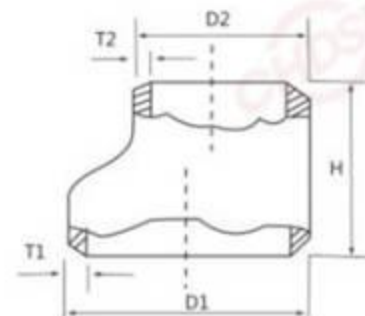
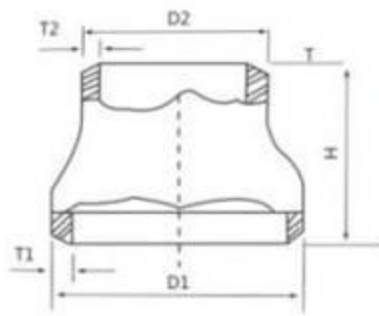
Reducers (concentric and eccentric)



| Nominal diameter |                | Outside diameter<br>D1×D2 | End to end<br>H | Approx weight KG/PC |        |            |       |           |       |
|------------------|----------------|---------------------------|-----------------|---------------------|--------|------------|-------|-----------|-------|
| DN               | NPS            |                           |                 | sch5s               | sch10s | sch40S/STD | sch40 | sch80S/XS | sch80 |
| 20×15            | 3/4×1/2        | 25×18                     | 38              | 0.03                | 0.04   | 0.05       | 0.05  | 0.07      | 0.07  |
|                  |                | 26.7×21.3                 |                 | 0.04                | 0.04   | 0.06       | 0.06  | 0.07      | 0.07  |
| 25×20            | 1×3/4          | 32×25                     | 51              | 0.06                | 0.09   | 0.11       | 0.11  | 0.14      | 0.14  |
|                  |                | 33.4×26.7                 |                 | 0.06                | 0.1    | 0.11       | 0.11  | 0.15      | 0.15  |
| 25×15            | 1×1/2          | 32×18                     | 51              | 0.05                | 0.08   | 0.09       | 0.09  | 0.12      | 0.12  |
|                  |                | 33.4×21.3                 |                 | 0.06                | 0.09   | 0.1        | 0.1   | 0.13      | 0.13  |
| 32×25            | 1 1/4×1        | 38×32                     | 51              | 0.07                | 0.11   | 0.14       | 0.14  | 0.18      | 0.18  |
|                  |                | 42.2×33.4                 |                 | 0.08                | 0.12   | 0.15       | 0.15  | 0.2       | 0.2   |
| 32×20            | 1 1/4×3/4      | 38×25                     | 51              | 0.06                | 0.1    | 0.13       | 0.13  | 0.16      | 0.16  |
|                  |                | 42.2×26.7                 |                 | 0.07                | 0.11   | 0.14       | 0.14  | 0.18      | 0.18  |
| 32×15            | 1 1/4×1/2      | 38×18                     | 51              | 0.06                | 0.09   | 0.11       | 0.11  | 0.14      | 0.14  |
|                  |                | 42.2×21.3                 |                 | 0.07                | 0.11   | 0.13       | 0.13  | 0.17      | 0.17  |
| 40×32            | 1 1/2×1<br>1/4 | 45×38                     | 64              | 0.11                | 0.17   | 0.22       | 0.22  | 0.29      | 0.29  |
|                  |                | 48.3×33.4                 |                 | 0.11                | 0.19   | 0.24       | 0.24  | 0.32      | 0.32  |
| 40×25            | 1 1/2×1        | 45×32                     | 64              | 0.1                 | 0.16   | 0.2        | 0.2   | 0.27      | 0.27  |
|                  |                | 48.3×33.4                 |                 | 0.1                 | 0.17   | 0.22       | 0.22  | 0.29      | 0.29  |
| 40×20            | 1 1/2×3/4      | 45×25                     | 64              | 0.09                | 0.15   | 0.18       | 0.18  | 0.24      | 24    |
|                  |                | 48.3×26.7                 |                 | 0.1                 | 0.16   | 0.2        | 0.2   | 0.26      | 0.26  |
| 40×32            | 1 1/2×1/2      | 45×18                     | 64              | 0.08                | 0.13   | 0.16       | 0.16  | 0.21      | 0.21  |
|                  |                | 48.3×21.3                 |                 | 0.09                | 0.15   | 0.19       | 0.19  | 0.24      | 0.24  |
| 50×40            | 2×1 1/2        | 57×45                     | 76              | 0.16                | 0.26   | 0.35       | 0.35  | 0.47      | 0.47  |
|                  |                | 60.3×48.3                 |                 | 0.17                | 0.27   | 0.37       | 0.37  | 0.51      | 0.51  |
| 50×32            | 2×1 1/4        | 57×38                     | 76              | 0.15                | 0.24   | 0.32       | 0.32  | 0.44      | 0.44  |
|                  |                | 60.3×42.2                 |                 | 0.16                | 0.26   | 0.35       | 0.35  | 0.48      | 0.48  |
| 50×25            | 2×1            | 57×32                     | 76              | 0.14                | 0.22   | 0.3        | 0.3   | 0.41      | 0.41  |
|                  |                | 60.3×33.4                 |                 | 0.14                | 0.24   | 0.32       | 0.32  | 0.44      | 0.44  |
| 65×50            | 2 1/2×2        | 76×57                     | 89              | 0.3                 | 0.43   | 0.7        | 0.7   | 0.92      | 0.92  |
|                  |                | 73.0×60.3                 |                 | 0.3                 | 0.43   | 0.7        | 0.7   | 0.92      | 0.92  |
| 65×40            | 2 1/2×1<br>1/2 | 76×45                     | 89              | 0.28                | 0.4    | 0.64       | 0.64  | 0.84      | 0.84  |
|                  |                | 73.0×48.3                 |                 | 0.28                | 0.4    | 0.63       | 0.63  | 0.83      | 0.83  |
| 65×32            | 2 1/2×1<br>1/4 | 76×38                     | 89              | 0.26                | 0.38   | 0.6        | 0.6   | 0.79      | 0.79  |
|                  |                | 73.0×42.2                 |                 | 0.27                | 0.38   | 0.6        | 0.6   | 0.79      | 0.79  |
| 65×25            | 2 1/2×1        | 76×32                     | 89              | 0.25                | 0.36   | 0.57       | 0.57  | 0.75      | 0.75  |
|                  |                | 73.0×33.4                 |                 | 0.25                | 0.35   | 0.56       | 0.56  | 0.73      | 0.73  |
| 80×65            | 3×2 1/2        | 89×76                     | 89              | 0.38                | 0.54   | 0.93       | 0.93  | 1.26      | 1.26  |
|                  |                | 88.9×73.0                 |                 | 0.37                | 0.53   | 0.91       | 0.91  | 1.23      | 1.23  |
| 80×50            | 3×2            | 89×57                     | 89              | 0.34                | 0.48   | 0.83       | 0.83  | 1.11      | 1.11  |
|                  |                | 88.9×60.3                 |                 | 0.35                | 0.49   | 0.84       | 0.84  | 1.13      | 1.13  |

Above dimensions acc. to GB/T 12459、GBAT 13401、SH 3408、SH 3409、HG/T 21635、HG/T 21631、SY/T 05010、ASME B16.9.  
Weights are approximate and based on manufacture's data, according to ANSI B16.9

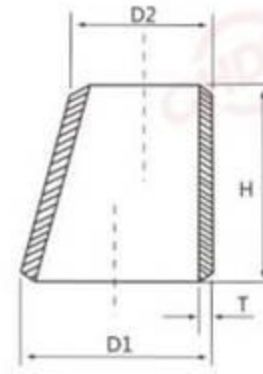
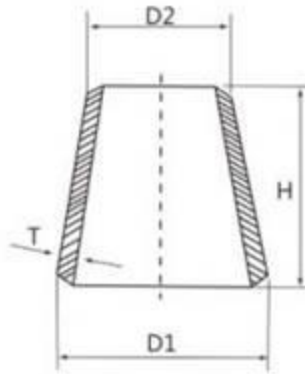
Reducers (concentric and eccentric)



| Nominal diameter |             | Outside diameter | End to end | Approx weight KG/PC |        |            |       |           |       |
|------------------|-------------|------------------|------------|---------------------|--------|------------|-------|-----------|-------|
| DN               | NPS         | D1 x D2          | H          | sch5s               | sch10s | sch40S/STD | sch40 | sch80S/XS | sch80 |
| 80x40            | 3x1 1/2     | 89x45            | 89         | 0.31                | 0.45   | 0.76       | 0.76  | 1.02      | 1.02  |
|                  |             | 88.9x48.3        |            | 0.32                | 0.45   | 0.78       | 0.78  | 1.05      | 1.05  |
| 90x80            | 3 1/2x3     | 101.6x88.9       | 102        | 0.5                 | 0.72   | 1.29       | 1.77  | 1.77      | -     |
| 90x65            | 3 1/2x3 1/2 | 101.6x73.0       | 102        | 0.46                | 0.66   | 1.12       | 1.12  | 1.63      | 1.63  |
| 90x50            | 3 1/2x2     | 101.6x60.3       | 102        | 0.43                | 0.62   | 1.1        | 1.1   | 1.51      | 1.51  |
| 90x40            | 4x3 1/2     | 101.6x48.3       | 102        | 0.41                | 0.58   | 1.03       | 1.03  | 1.4       | 1.4   |
| 100x90           | 3 1/2x1 1/2 | 114.3x101.6      | 102        | 0.57                | 0.82   | 1.55       | 1.55  | 2.41      | 2.41  |
| 100x80           | 4x3         | 108x89           | 102        | 0.52                | 0.75   | 1.41       | 1.41  | 1.94      | 1.94  |
|                  |             | 114.3x88.9       |            | 0.54                | 0.77   | 1.46       | 1.46  | 2.02      | 2.02  |
| 100x65           | 4x2 1/2     | 108x76           | 102        | 0.49                | 0.7    | 1.32       | 1.32  | 1.82      | 1.82  |
|                  |             | 114.3x73.0       |            | 0.5                 | 0.72   | 1.35       | 1.35  | 1.87      | 1.87  |
| 100x50           | 4x2         | 108x57           | 102        | 0.44                | 0.64   | 1.19       | 1.19  | 1.64      | 1.64  |
|                  |             | 114.3x60.3       |            | 0.48                | 0.68   | 1.27       | 1.27  | 1.75      | 1.75  |
| 125x100          | 5x4         | 133x108          | 127        | 1.04                | 1.27   | 2.35       | 2.35  | 3.33      | 3.33  |
|                  |             | 141.3x114.3      |            | 1.11                | 1.35   | 2.5        | 2.5   | 3.55      | 3.55  |
| 125x90           | 5x3 1/2     | 141.3x101.6      | 127        | 1.06                | 1.29   | 2.38       | 2.38  | 3.38      | 3.38  |
| 125x80           | 5x3         | 133x89           | 127        | 0.97                | 1.18   | 2.17       | 2.17  | 3.07      | 3.07  |
|                  |             | 141.3x88.9       |            | 1.01                | 1.23   | 2.27       | 2.27  | 3.22      | 3.22  |
| 125x65           | 5x2 1/2     | 133x76           | 127        | 0.92                | 1.12   | 2.06       | 2.06  | 2.91      | 2.91  |
|                  |             | 141.3x73.0       |            | 0.95                | 1.16   | 2.14       | 2.14  | 3.02      | 3.02  |
| 150x125          | 6x5         | 159x133          | 140        | 1.4                 | 1.71   | 3.42       | 3.42  | 5.14      | 5.14  |
|                  |             | 168.3x141.3      |            | 1.48                | 1.81   | 3.64       | 3.64  | 5.47      | 5.47  |
| 150x100          | 6x4         | 159x108          | 140        | 1.29                | 1.58   | 3.15       | 3.15  | 4.72      | 4.72  |
|                  |             | 168.3x114.3      |            | 1.37                | 1.67   | 3.36       | 3.36  | 5.03      | 5.03  |
| 150x90           | 6x3 1/2     | 168.3x101.6      | 140        | 1.32                | 1.61   | 3.23       | 3.23  | 4.83      | 4.83  |
| 150x80           | 6x3         | 159x89           | 140        | 1.21                | 1.48   | 2.96       | 2.96  | 4.41      | 4.41  |
|                  |             | 168.3x88.9       |            | 1.26                | 1.53   | 3.07       | 3.87  | 4.58      | 4.58  |
| 200x150          | 8x6         | 219x159          | 152        | 2                   | 2.7    | 5.65       | 5.65  | 8.55      | 8.55  |
|                  |             | 219.1x168.3      |            | 2.04                | 2.75   | 5.77       | 5.77  | 8.73      | 8.73  |
| 200x125          | 8x5         | 219x133          | 152        | 1.9                 | 2.56   | 5.35       | 5.35  | 8.09      | 8.09  |
|                  |             | 219.1x141.3      |            | 1.93                | 2.6    | 5.44       | 5.44  | 8.23      | 8.23  |

Above dimensions acc. to GB/T 12459、GBAT 13401、SH 3408、SH 3409、HG/T 21635、HG/T 21631、SY/T 05010、ASME B16.9.  
Weights are approximate and based on manufacture's data, according to ANSIB16.9

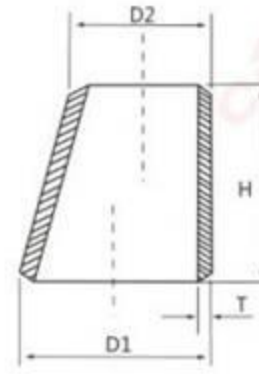
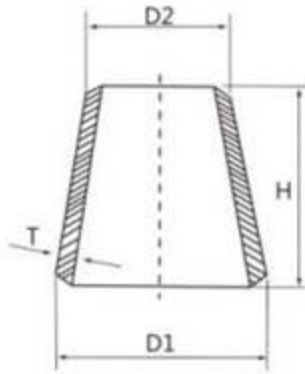
Reducers (concentric and eccentric)



| Nominal diameter |        | Outside diameter<br>D1 x D2 | End to end<br>H | Approx weight KG/PC |        |            |       |            |       |
|------------------|--------|-----------------------------|-----------------|---------------------|--------|------------|-------|------------|-------|
| DN               | NPS    |                             |                 | sch5s               | sch10s | sch40S/STD | sch40 | sch80S/STD | sch80 |
| 250x150          | 10x6   | 273x159                     | 178             | 3.38                | 4.15   | 8.83       | 14    | 14         | 14    |
|                  |        | 273.1 x 168.3               |                 | 3.43                | 4.21   | 8.96       | 14.2  | 14.2       | 14.2  |
| 250x125          | 10x5   | 273x133                     | 178             | 3.25                | 3.99   | 8.47       | 13.4  | 13.4       | 13.4  |
|                  |        | 273.1 x 141.3               |                 | 3.29                | 4.04   | 8.59       | 13.6  | 13.6       | 13.6  |
| 200x100          | 8x4    | 219x108                     | 152             | 1.8                 | 2.43   | 5.07       | 5.07  | 7.64       | 7.64  |
|                  |        | 219.1 x 114.3               |                 | 1.83                | 2.46   | 5.14       | 5.44  | 7.75       | 7.75  |
| 250x200          | 10x8   | 273x219                     | 178             | 3.72                | 4.56   | 9.74       | 15.5  | 15.5       | 15.5  |
| 300x250          | 12x10  | 325x273                     | 203             | 5.98                | 6.89   | 13.9       | 15    | 18.3       | 24.8  |
|                  |        | 323.9x273.1                 |                 | 5.97                | 6.88   | 13.9       | 15    | 18.3       | 24.8  |
| 300x200          | 12x8   | 325x219                     | 203             | 5.57                | 6.42   | 12.9       | 14    | 17         | 23    |
|                  |        | 323.9x219.1                 |                 | 5.56                | 6.41   | 12.9       | 13.9  | 17         | 23    |
| 300x150          | 12x6   | 325x159                     | 203             | 5.17                | 5.98   | 12         | 12.9  | 15.7       | 21.2  |
|                  |        | 323.9x168.3                 |                 | 5.22                | 6      | 12.1       | 13    | 15.9       | 21.4  |
| 350x300          | 14x12  | 377 x 325                   | 330             | 11.4                | 13.7   | 26.6       | 30.9  | 35.1       | 51.6  |
|                  |        | 355.6x323.9                 |                 | 11                  | 13.2   | 25.6       | 29.8  | 33.8       | 49.8  |
| 350x250          | 14x 10 | 377x273                     | 330             | 10.6                | 12.8   | 24.8       | 28.8  | 32.7       | 48    |
|                  |        | 355.6x273.1                 |                 | 10.2                | 12.3   | 23.8       | 27.7  | 31.4       | 46.1  |
| 350x200          | 14x8   | 377x219                     | 330             | 9.89                | 11.9   | 23         | 26.7  | 30.3       | 44.5  |
|                  |        | 355.6x219.1                 |                 | 9.46                | 11.4   | 22         | 25.5  | 29         | 42.5  |
| 350x150          | 14x6   | 377x159                     | 330             | 9.63                | 11     | 21.1       | 24.5  | 27.8       | 40.7  |
|                  |        | 355.6x168.3                 |                 | 9.22                | 10.5   | 20.2       | 23.5  | 26.6       | 38.9  |
| 400x350          | 16x14  | 426 x 377                   | 356             | 14.9                | 16.9   | 32.9       | 43.5  | 43.5       | 71.7  |
|                  |        | 406.4 x 355.6               |                 | 14.1                | 16.1   | 31.2       | 41.2  | 41.2       | 67.9  |
| 400x300          | 16x12  | 426x325                     | 356             | 14                  | 16     | 31         | 40.9  | 40.9       | 67.4  |
|                  |        | 406.4 x 323.9               |                 | 13.6                | 15.4   | 29.9       | 39.5  | 39.5       | 65.1  |
| 400x250          | 16x10  | 426 x 273                   | 356             | 13.2                | 15     | 29.1       | 38.4  | 38.4       | 63.1  |
|                  |        | 406.4x273.1                 |                 | 12.7                | 14.5   | 28.1       | 37.1  | 37.1       | 60.9  |
| 400x200          | 16x8   | 426x219                     | 356             | 12.4                | 14.1   | 27.3       | 36    | 36         | 59.1  |
|                  |        | 406.4x219.1                 |                 | 11.9                | 13.6   | 26.2       | 34.6  | 34.6       | 56.7  |
| 400x150          | 16x6   | 426x159                     | 356             | 11.5                | 13.1   | 25.3       | 33.3  | 33.3       | 54.5  |
|                  |        | 406.4x168.3                 |                 | 9.96                | 12.7   | 24.5       | 32.3  | 32.3       | 52.7  |
| 450x400          | 18x16  | 478 x 426                   | 381             | 17.9                | 20.4   | 39.7       | 58.8  | 52.6       | 96.1  |
|                  |        | 457 x 406.4                 |                 | 17.1                | 19.5   | 37.9       | 56.1  | 50.1       | 91.6  |
| 450x350          | 18x14  | 478 x 377                   | 381             | 17.1                | 19.4   | 37.7       | 55.8  | 49.9       | 91.1  |
|                  |        | 457 x 355.6                 |                 | 16.2                | 18.5   | 35.8       | 53    | 47.4       | 86.3  |
| 450x300          | 18x12  | 478 x 325                   | 381             | 16.2                | 18.5   | 35.8       | 53    | 47.4       | 86.3  |
|                  |        | 457 x 323.9                 |                 | 15.7                | 17.9   | 34.7       | 51.2  | 45.8       | 83.4  |

Above dimensions acc. to GB/T 12459、GBAT 13401、SH 3408、SH 3409、HG/T 21635、HG/T 21631、SY/T 05010、ASME B16.9.  
Weights are approximate and based on manufacture's data, according to ANSI B16.9

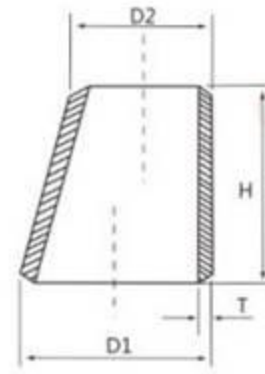
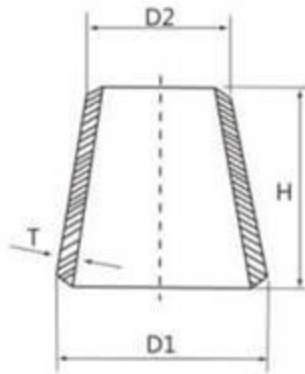
Reducers (concentric and eccentric)



| Nominal diameter |       | Outside diameter | End to end | Approx weight KG/PC |        |            |       |            |       |
|------------------|-------|------------------|------------|---------------------|--------|------------|-------|------------|-------|
| DN               | NPS   | D1×D2            | H          | sch5s               | sch10s | sch40S/STD | sch40 | sch80S/STD | sch80 |
| 450×250          | 18×10 | 478×273          | 381        | 15.4                | 17.6   | 34.1       | 50.3  | 45         | 81.8  |
|                  |       | 457×273.1        |            | 14.8                | 16.9   | 32.8       | 48.4  | 43.3       | 78.6  |
| 450×200          | 18×8  | 478×219          | 381        | 14.5                | 16.5   | 32         | 47.3  | 42.3       | 76.7  |
|                  |       | 457×219.1        |            | 14                  | 15.9   | 30.8       | 45.5  | 40.7       | 73.7  |
| 500×450          | 20×18 | 529×478          | 508        | 30.4                | 35.2   | 59.1       | 92.5  | 78.2       | 156   |
|                  |       | 508×457          |            | 29.1                | 33.7   | 56.6       | 88.6  | 74.9       | 150   |
| 500×400          | 20×16 | 529×426          | 508        | 28.9                | 33.4   | 56.2       | 87.9  | 74.4       | 149   |
|                  |       | 508×406.4        |            | 27.7                | 32     | 53.8       | 84.1  | 71.1       | 142   |
| 500×350          | 20×14 | 529×377          | 508        | 27.6                | 31.9   | 53.6       | 83.8  | 70.9       | 142   |
|                  |       | 508×355.6        |            | 26.3                | 30.4   | 51         | 79.7  | 67.4       | 135   |
| 500×300          | 20×12 | 529×325          | 508        | 26.2                | 30.3   | 50.8       | 79.4  | 67.2       | 134   |
|                  |       | 508×323.9        |            | 25.4                | 29.4   | 49.3       | 77    | 65.1       | 130   |
| 500×250          | 20×10 | 529×273          | 508        | 24.8                | 28.7   | 48.2       | 75.2  | 63.7       | 127   |
|                  |       | 508×273.1        |            | 24                  | 27.8   | 26.7       | 72.8  | 61.7       | 123   |
| 500×200          | 20×8  | 529×219          | 508        | 23.5                | 27.1   | 45.5       | 70.9  | 60.1       | 119   |
|                  |       | 508×219.1        |            | 22.7                | 26.2   | 43.9       | 68.5  | 58         | 115   |
| 550×500          | 22×20 | 559×508          | 508        | 32.1                | 37.3   | 62.7       | -     | 83         | 182   |
| 550×450          | 22×18 | 559×457          | 508        | 30.8                | 35     | 59.9       | -     | 79.3       | 174   |
| 550×400          | 22×16 | 559×406.4        | 508        | 29.4                | 34     | 57.2       | -     | 75.7       | 165   |
| 550×350          | 22×14 | 559×355.6        | 508        | 28                  | 32.5   | 54.5       | -     | 72.1       | 157   |
| 600×550          | 24×22 | 610×559          | 508        | 28                  | 46.8   | 68.8       | -     | 91.2       | 215   |
| 600×500          | 24×20 | 630×529          | 508        | 40.4                | 46.2   | 68         | 123   | 90.1       | 212   |
|                  |       | 610×508          |            | 39.2                | 44.9   | 66         | 119   | 87.4       | 206   |
| 600×450          | 24×18 | 630×478          | 508        | 39.1                | 44.7   | 65.8       | 119   | 87.1       | 205   |
|                  |       | 610×457          |            | 37.6                | 43.1   | 63.3       | 114   | 83.9       | 197   |
| 600×400          | 24×16 | 630×426          | 508        | 37.5                | 43     | 63.1       | 114   | 83.6       | 197   |
|                  |       | 610×406.4        |            | 36.1                | 41.3   | 60.7       | 110   | 80.4       | 189   |
| 650×600          | 26×24 | 660×610          | 610        | -                   | -      | 89.8       | -     | 119        | -     |
| 650×550          | 26×22 | 660×559          | 610        | -                   | -      | 86.3       | -     | 114        | -     |
| 650×500          | 26×20 | 660×508          | 610        | -                   | -      | 83         | -     | 110        | -     |

Above dimensions acc. to GB/T 12459、GBAT 13401、SH 3408、SH 3409、HG/T 21635、HG/T 21631、SY/T 05010、ASME B16.9.  
Weights are approximate and based on manufacture's data, according to ANSI B16.9

Reducers (concentric and eccentric)



| Nominal diameter |       | Outside diameter     | End to end | Approx weight KG/PC |        |              |       |            |       |
|------------------|-------|----------------------|------------|---------------------|--------|--------------|-------|------------|-------|
| DN               | NPS   | D1 x D2              | H          | sch5s               | Sch10s | sch40S/STD   | sch40 | sch80S/STD | sch80 |
| 650x 450         | 26x18 | 660x457              | 610        | -                   | -      | 89.0         | -     | 105        | -     |
| 700x650          | 28x26 | 711x660              | 610        | -                   | -      | 97.1         | -     | 129        | -     |
| 700x600          | 28x24 | 720x630<br>711x610   | 610        | -                   | -      | 95.7<br>93.6 | -     | 127<br>124 | -     |
| 700x550          | 28x22 | 711 x559             | 610        | -                   | -      | 90.4         | -     | 120        | -     |
| 750x700          | 30x28 | 762x711              | 610        | -                   | -      | 104          | -     | 139        | -     |
| 750x650          | 30x26 | 762 x 660            | 610        | -                   | -      | 101          | -     | 133        | -     |
| 750x600          | 30x24 | 762x610              | 610        | 66.4                | 82.7   | 97.8         | -     | 130        | -     |
| 750x550          | 30x22 | 762x559              | 610        | 63.9                | 80.0   | 94.5         | -     | 125        | -     |
| 800x750          | 32x30 | 813x762              | 610        | -                   | -      | 112          | -     | 148        | -     |
| 800x700          | 32x28 | 820 x 720<br>813x711 | 610        | -                   | -      | 109<br>108   | -     | 145<br>144 | -     |
| 800x650          | 32x26 | 813x660              | 610        | -                   | -      | 105          | -     | 139        | -     |
| 800x600          | 32x24 | 820x630<br>813x610   | 610        | -                   | -      | 104<br>102   | -     | 138<br>135 | -     |
| 850x800          | 34x32 | 864x813              | 610        | -                   | -      | 119          | -     | 158        | -     |
| 850x750          | 34x30 | 864 x 762            | 610        | -                   | -      | 116          | -     | 153        | -     |
| 850x700          | 34x28 | 864x711              | 610        | -                   | -      | 112          | -     | 149        | -     |
| 850x650          | 34x26 | 864 x 660            | 610        | -                   | -      | 109          | -     | 145        | -     |
| 900x850          | 36x34 | 914x864              | 610        | -                   | -      | 126          | -     | 168        | -     |
| 900x800          | 36x32 | 920 x 820<br>914x813 | 610        | -                   | -      | 124<br>123   | -     | 164<br>163 | -     |
| 900x750          | 36x30 | 914x762              | 610        | -                   | -      | 120          | -     | 159        | -     |
| 900x700          | 36x28 | 920x720<br>914x711   | 610        | -                   | -      | 118<br>117   | -     | 156<br>155 | -     |

Above dimensions acc. to GB/T 12459、GBAT 13401、SH 3408、SH 3409、HG/T 21635、HG/T 21631、SY/T 05010、ASME B16.9.  
Weights are approximate and based on manufacture's data, according to ANSIB16.9

Outside Diameter And Wall

Thickness GB/T12459, GB/T13401

| Nominal Pipe size | Outside Diameter |      | Nominal Wall Thickness |        |        |    |       |       |     |       |       |    |       |        |        |        |        |  |
|-------------------|------------------|------|------------------------|--------|--------|----|-------|-------|-----|-------|-------|----|-------|--------|--------|--------|--------|--|
|                   | A                | B    | SCH5s                  | SCH10s | SCH20s | LG | SCH20 | SCH30 | STD | SCH40 | SCH60 | XS | SCH80 | SCH100 | SCH120 | SCH140 | SCH160 |  |
| 15                | 21.3             | 18   | 1.6                    | 2.1    | 2.6    | -- | --    | --    | --  | 2.9   | --    | -- | 3.6   | --     | --     | --     | 4.5    |  |
| 20                | 26.9             | 25   | 1.6                    | 2.1    | 2.6    | -- | --    | --    | --  | 2.9   | --    | -- | 4     | --     | --     | --     | 5.6    |  |
| 25                | 33.7             | 32   | 1.6                    | 2.8    | 3.2    | -- | --    | --    | --  | 3.2   | --    | -- | 4.5   | --     | --     | --     | 6.3    |  |
| 32                | 42.4             | 38   | 1.6                    | 2.8    | 3.2    | -- | --    | --    | --  | 3.6   | --    | -- | 5     | --     | --     | --     | 6.3    |  |
| 40                | 48.3             | 45   | 1.6                    | 2.8    | 3.2    | -- | --    | --    | --  | 3.6   | --    | -- | 5     | --     | --     | --     | 7.1    |  |
| 50                | 60.3             | 57   | 1.6                    | 2.8    | 3.6    | -- | 3.2   | --    | --  | 4     | --    | -- | 5.6   | --     | --     | --     | 8.8    |  |
| 65                | 76.1(73)         | 76   | 2                      | 3      | 3.6    | -- | 4.5   | --    | --  | 5     | --    | -- | 7.1   | --     | --     | --     | 10     |  |
| 80                | 88.9             | 89   | 2                      | 3      | 4      | -- | 4.5   | --    | --  | 5.6   | --    | -- | 8     | --     | --     | --     | 11     |  |
| 90                | 101.6            | --   | 2                      | 3      | 4      | -- | 4.5   | --    | --  | 5.6   | --    | -- | 8     | --     | --     | --     | 12.5   |  |
| 100               | 114.3            | 108  | 2                      | 3      | 4      | -- | 5     | --    | --  | 5.9   | --    | -- | 8.8   | --     | 11     | --     | 14.2   |  |
| 125               | 139.7            | 133  | 2.9                    | 3.4    | 5      | -- | 5     | --    | --  | 6.3   | --    | -- | 10    | --     | 12.5   | --     | 16     |  |
| 150               | 168.3            | 159  | 2.9                    | 3.4    | 5      | -- | 5.6   | --    | --  | 7.1   | --    | -- | 11    | --     | 14.2   | --     | 17.5   |  |
| 200               | 219.1            | 219  | 2.9                    | 4      | 6.3    | -- | 6.3   | 7.1   | --  | 8     | 10    | -- | 12.5  | 16     | 17.5   | 20     | 22.2   |  |
| 250               | 273              | 273  | 3.6                    | 4      | 6.3    | -- | 6.3   | 8     | --  | 8.8   | 12.5  | -- | 16    | 17.5   | 22.2   | 25     | 28     |  |
| 300               | 323.9            | 325  | 4                      | 4.5    | 6.3    | -- | 6.3   | 8.8   | --  | 10    | 14.2  | -- | 17.5  | 22.2   | 25     | 28     | 32     |  |
| 350               | 355.6            | 377  | 4                      | 5      | --     | 8  | 8     | 10    | 10  | 11    | 16    | 13 | 20    | 25.8   | 28     | 32     | 36     |  |
| 400               | 406.4            | 426  | 4                      | 5      | --     | 8  | 8     | 10    | 10  | 12.5  | 17.5  | 13 | 22.2  | 28     | 30     | 36     | 40     |  |
| 450               | 457.2            | 478  | 4                      | 5      | --     | 8  | 8     | 11    | 10  | 14.2  | 20    | 13 | 25    | 30     | 36     | 40     | 45     |  |
| 500               | 508              | 529  | 5                      | 5.6    | --     | 8  | 10    | 12.5  | 10  | 16    | 20    | 13 | 28    | 32     | 40     | 45     | 50     |  |
| 550               | 559              | --   | 5                      | 5.6    | --     | 8  | --    | --    | 10  | --    | --    | 13 | 30.2  | --     | --     | --     | --     |  |
| 600               | 610              | 630  | 5.6                    | 6.3    | --     | 8  | --    | --    | 10  | 17.5  | --    | 13 | 32    | --     | --     | --     | --     |  |
| 650               | 660              | --   | --                     | --     | --     | 8  | --    | --    | 10  | --    | --    | 13 | --    | --     | --     | --     | --     |  |
| 700               | 711              | 720  | --                     | --     | --     | 8  | --    | --    | 10  | --    | --    | 13 | --    | --     | --     | --     | --     |  |
| 750               | 762              | --   | --                     | --     | --     | 8  | --    | --    | 10  | --    | --    | 13 | --    | --     | --     | --     | --     |  |
| 800               | 813              | 820  | --                     | --     | --     | 8  | --    | --    | 10  | --    | --    | 13 | --    | --     | --     | --     | --     |  |
| 850               | 864              | --   | --                     | --     | --     | 8  | --    | --    | 10  | --    | --    | 13 | --    | --     | --     | --     | --     |  |
| 900               | 914              | 920  | --                     | --     | --     | 8  | --    | --    | 10  | --    | --    | 13 | --    | --     | --     | --     | --     |  |
| 950               | 965              | --   | --                     | --     | --     | 8  | --    | --    | 10  | --    | --    | 13 | --    | --     | --     | --     | --     |  |
| 1000              | 1016             | 1020 | --                     | --     | --     | 8  | --    | --    | 10  | --    | --    | 13 | --    | --     | --     | --     | --     |  |
| 1050              | 1067             | --   | --                     | --     | --     | 8  | --    | --    | 10  | --    | --    | 13 | --    | --     | --     | --     | --     |  |
| 1100              | 1118             | 1120 | --                     | --     | --     | 8  | --    | --    | 10  | --    | --    | 13 | --    | --     | --     | --     | --     |  |
| 1150              | 1168             | --   | --                     | --     | --     | 8  | --    | --    | 10  | --    | --    | 13 | --    | --     | --     | --     | --     |  |
| 1200              | 1220             | 1220 | --                     | --     | --     | 8  | --    | --    | 10  | --    | --    | 13 | --    | --     | --     | --     | --     |  |

SCH5s,10s,20s applies for stainless steel fittings.